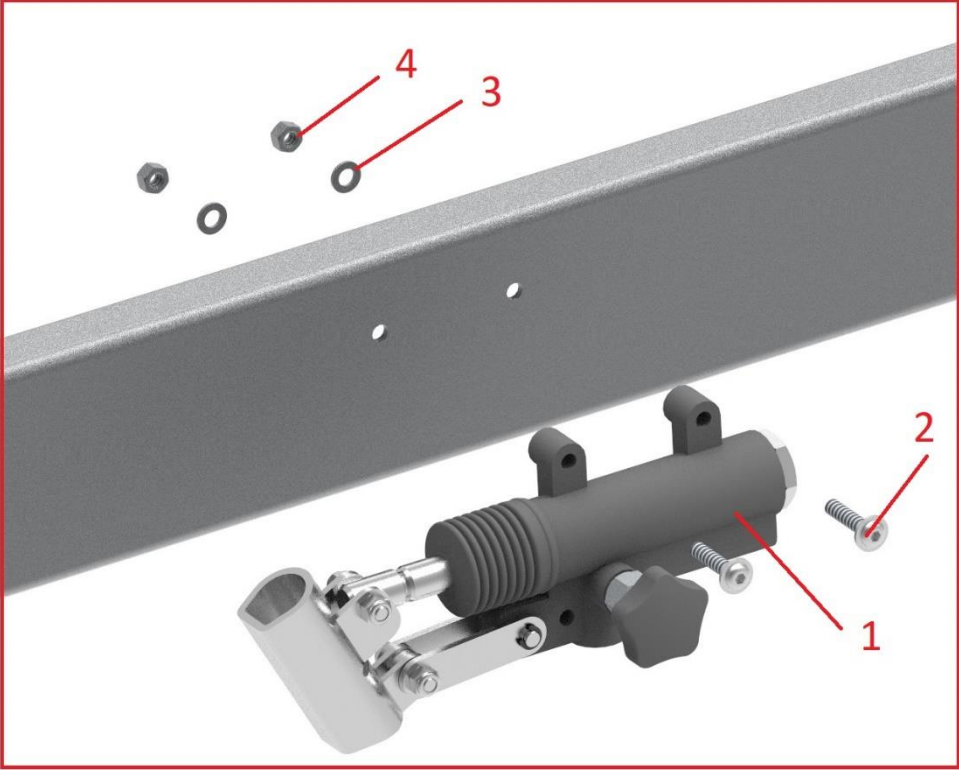






INSTALATION INSTRUCTION OF ADDITIONAL HYDRAULIC PUMP - PW 2.4, 3.6

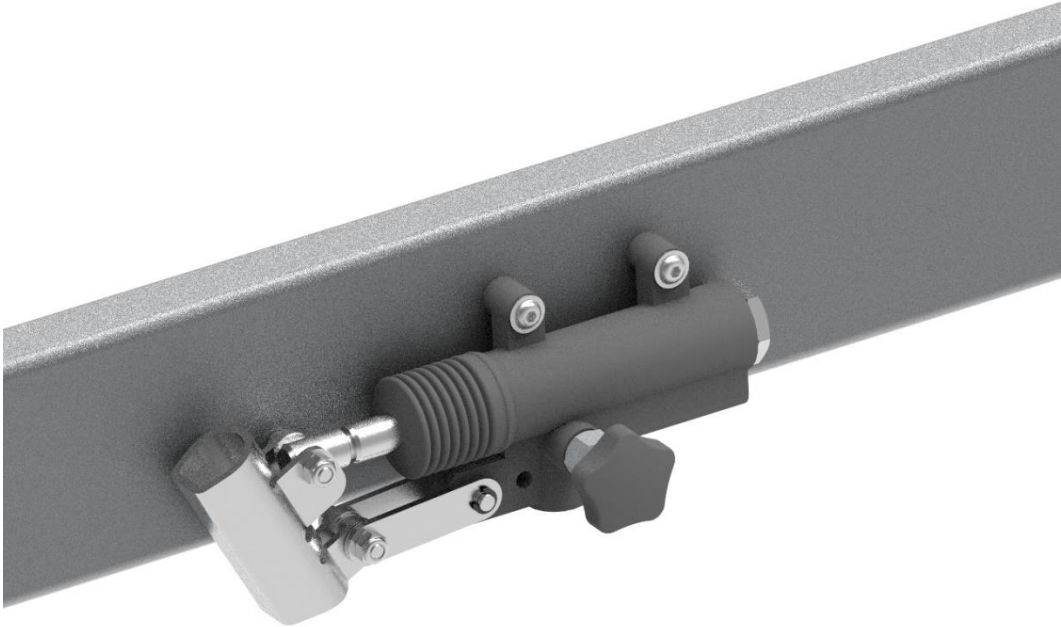


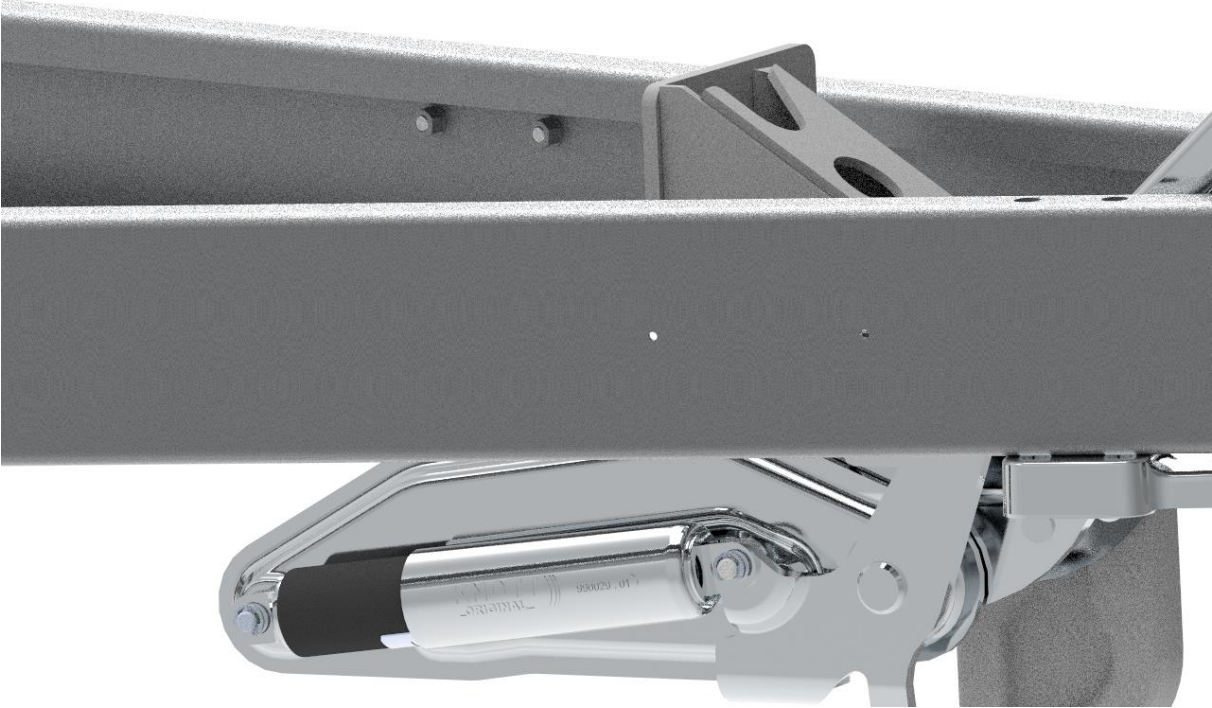
STEP 1



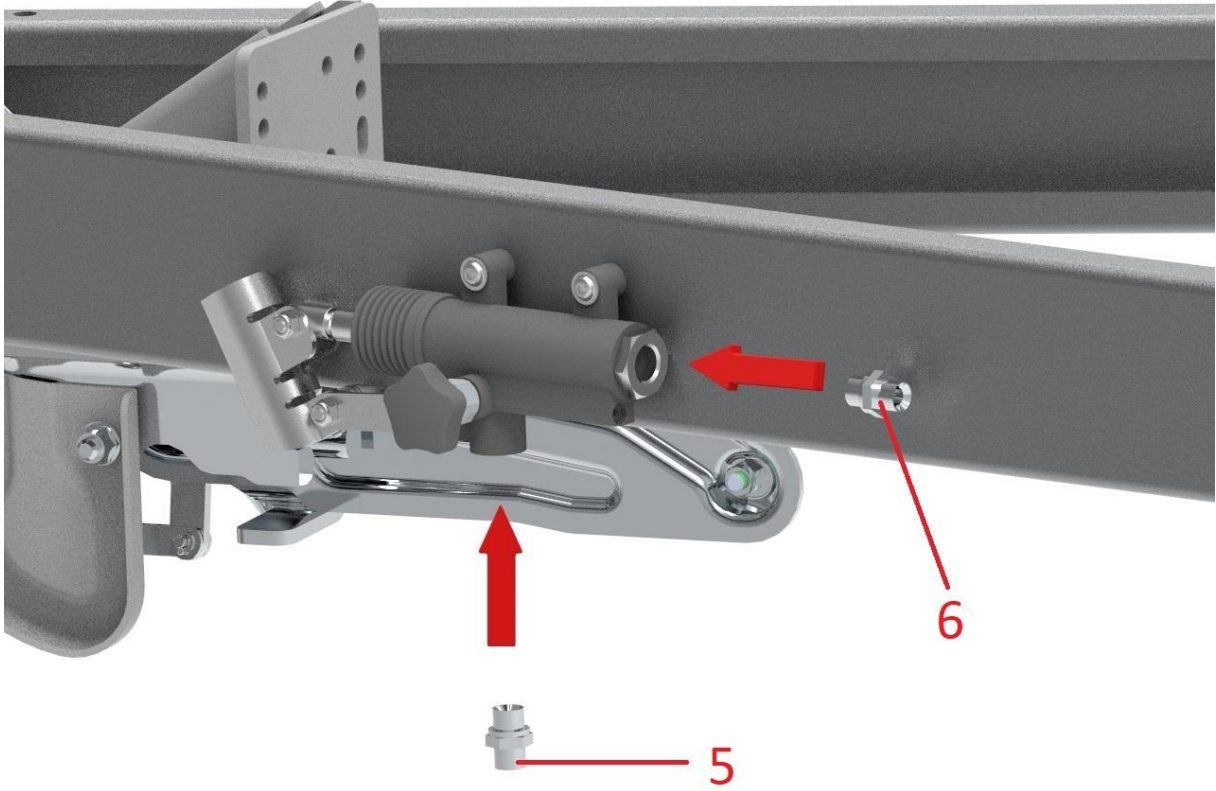
NUMBER	PICTURE	PCS
1		1
2		2
3		2
4		2



CORRECT INSTALLATION



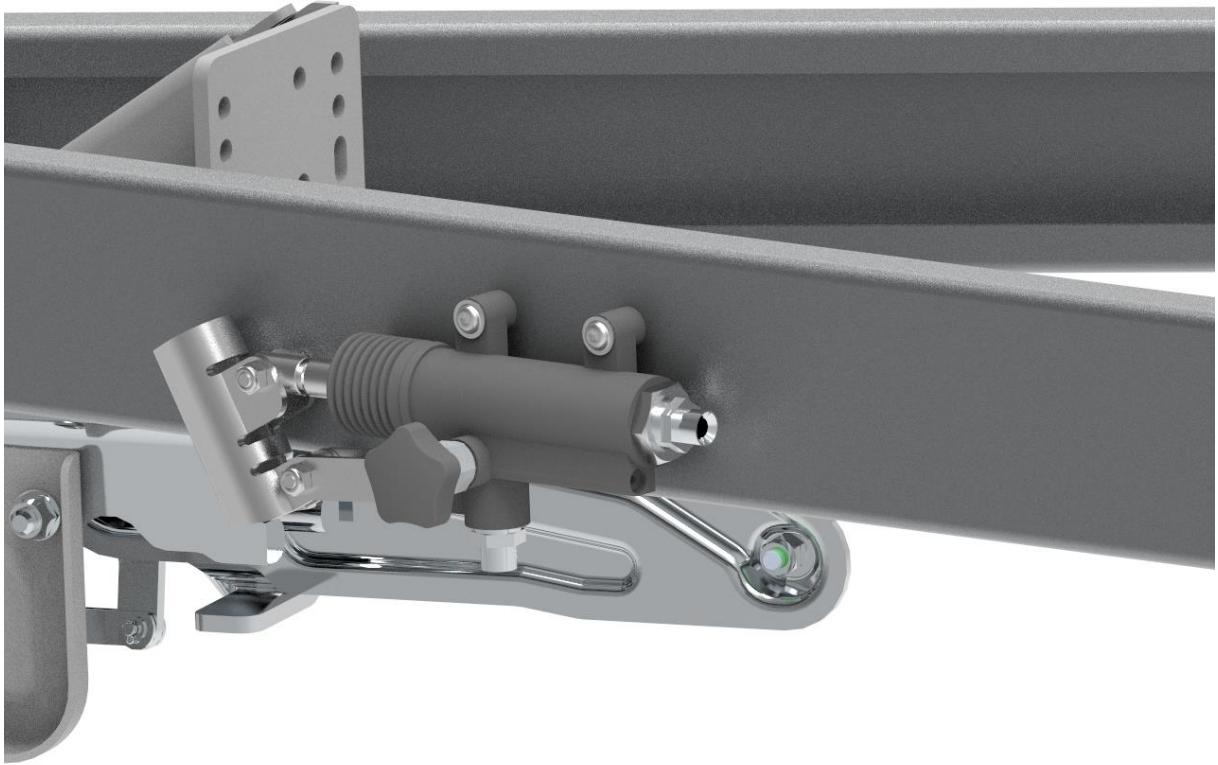


STEP 2

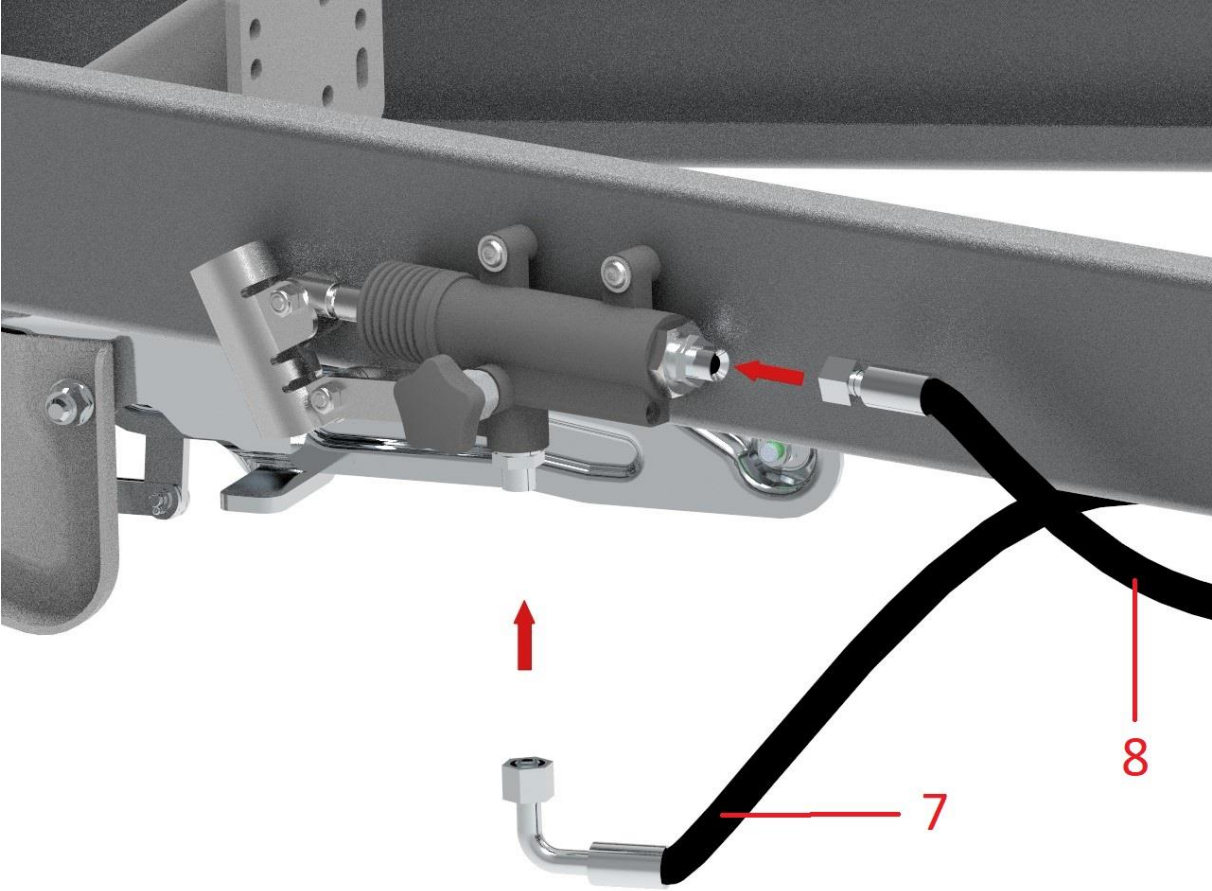




NUMBER	PICTURE	PCS
5	 3/8'	1
6	 1/2'	1

CORRECT INSTALLATION

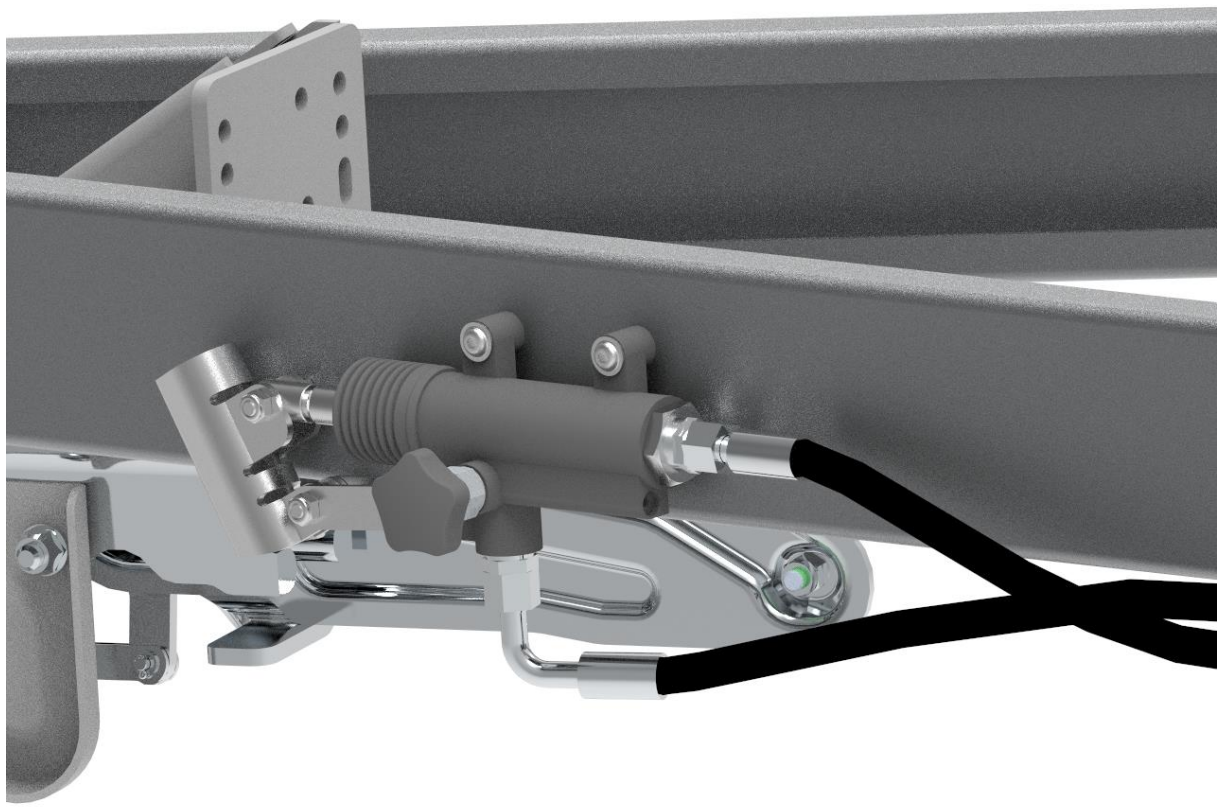


STEP 3

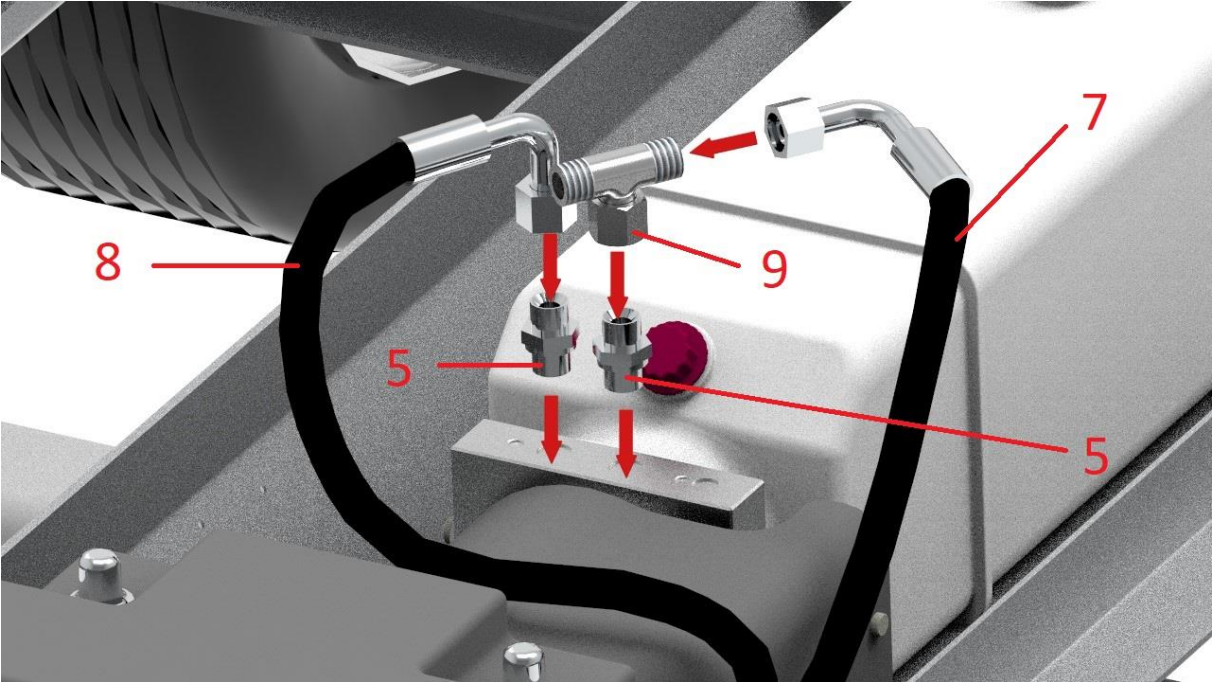
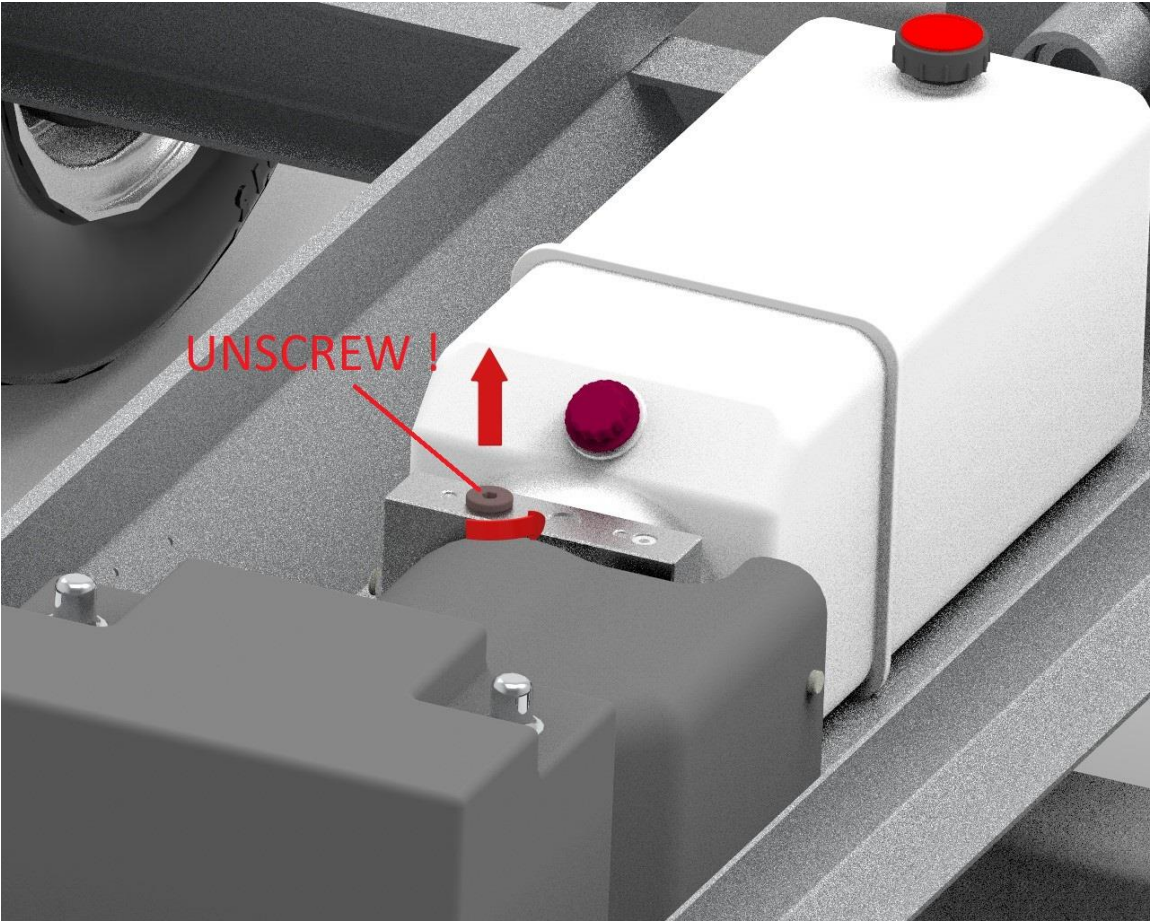






NUMBER	PICTURE	PCS
7		1
8		1

CORRECT INSTALLATION

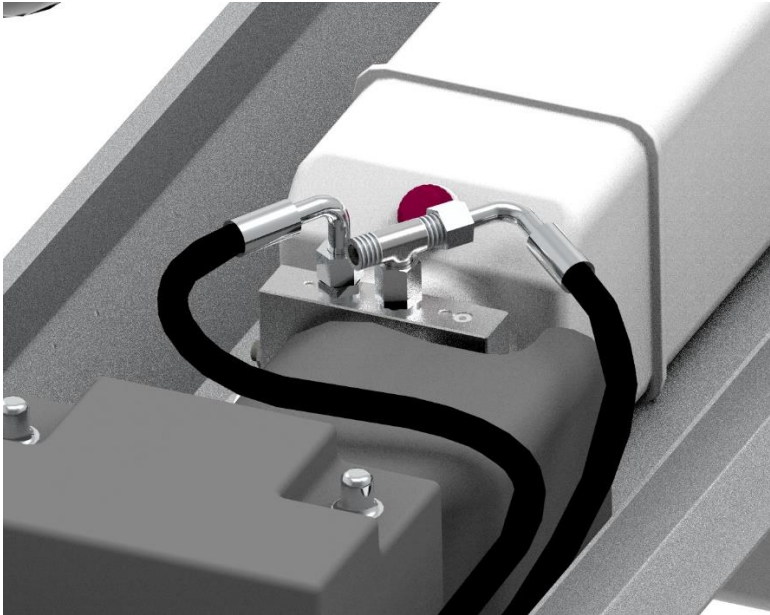


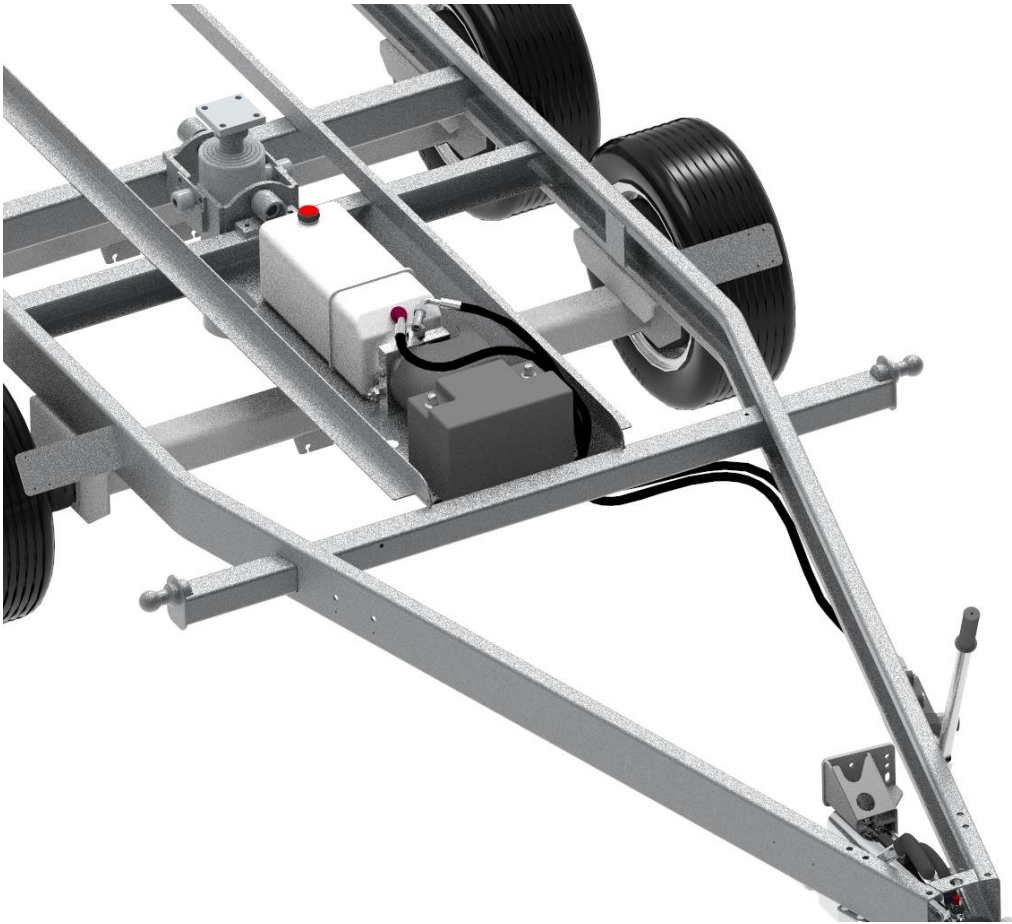
STEP 4



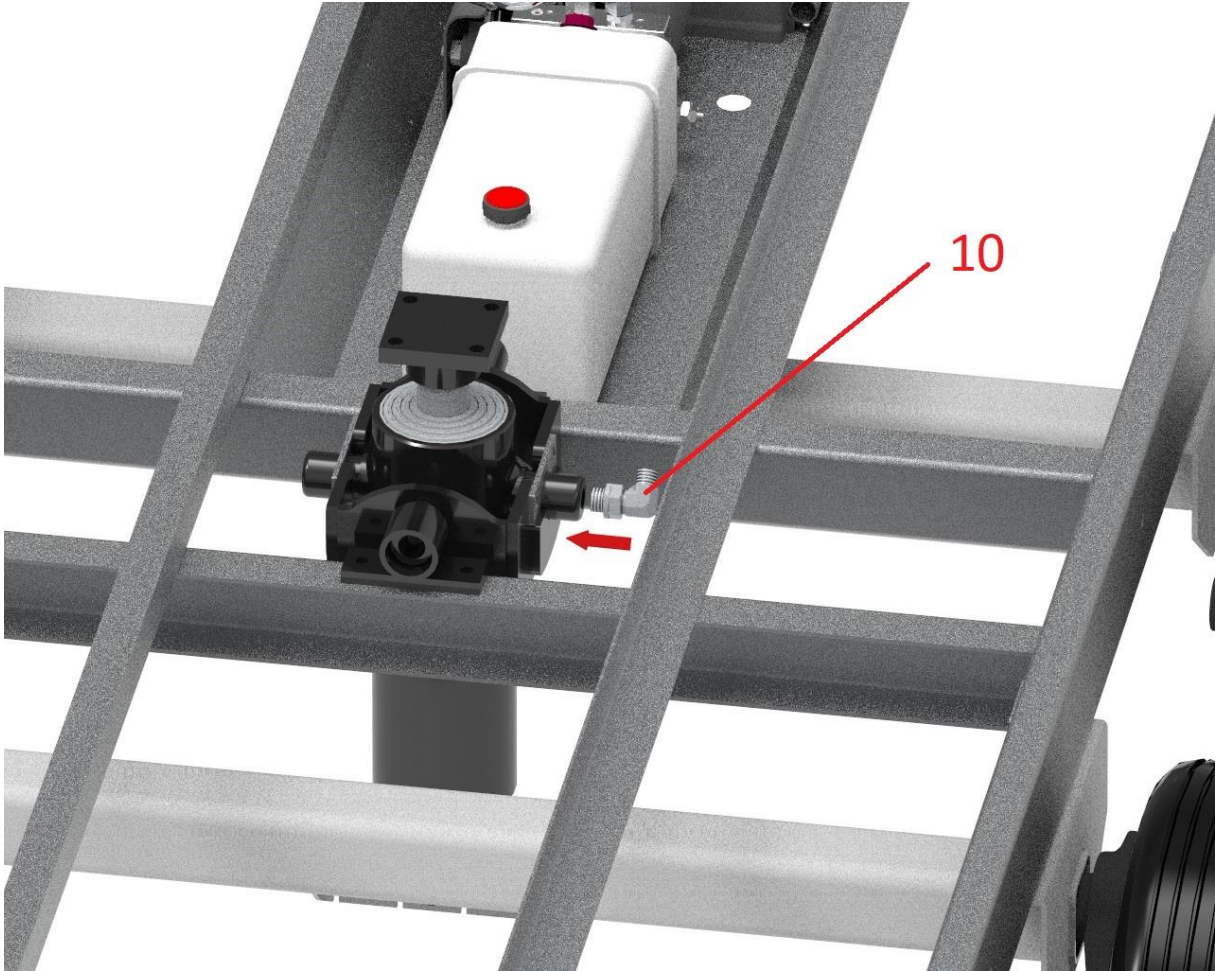
NUMBER	PICTURE	PCS
5	 <p data-bbox="772 443 820 472">3/8'</p>	2
7		1
8		1
9		1


CORRECT INSTALLATION

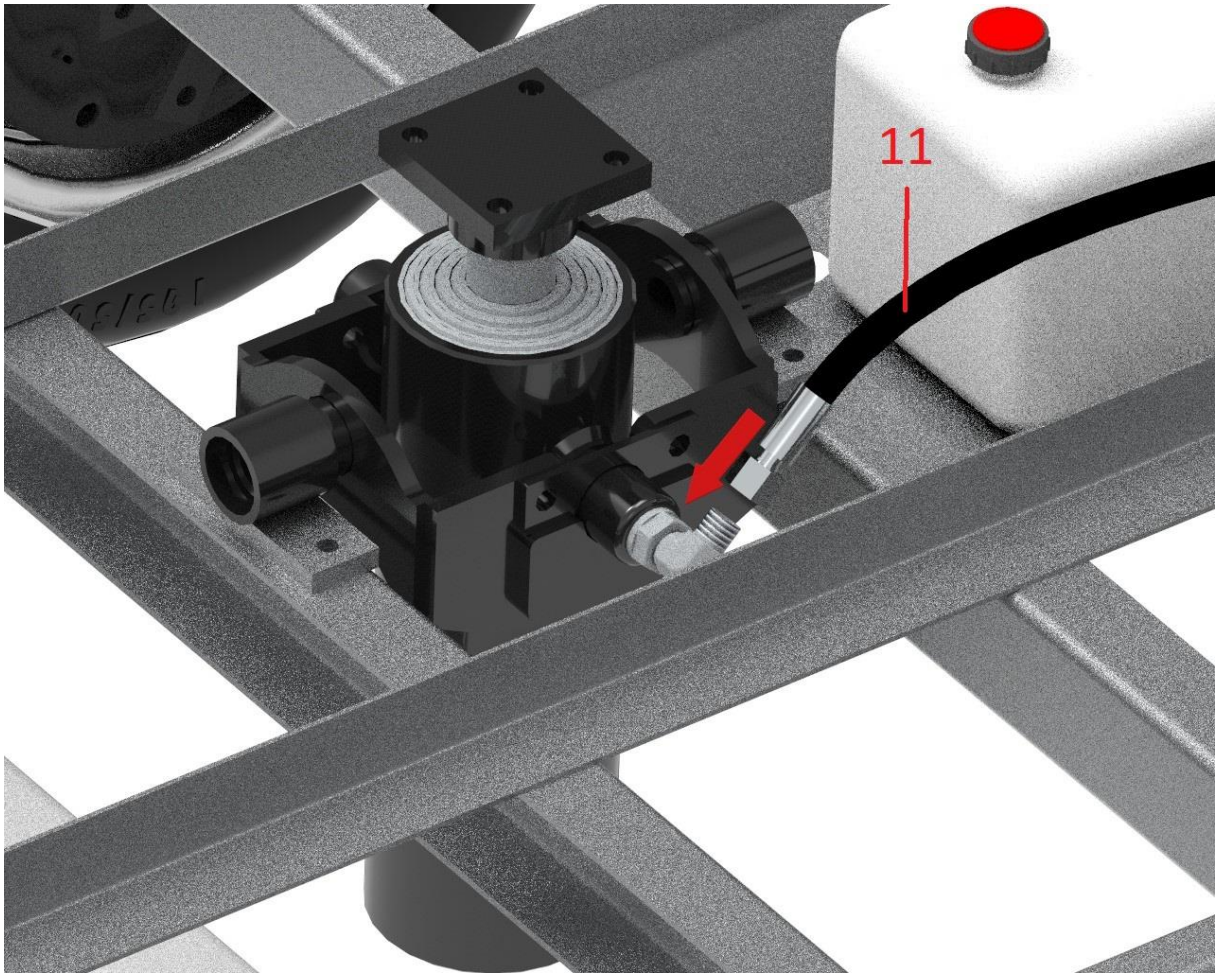





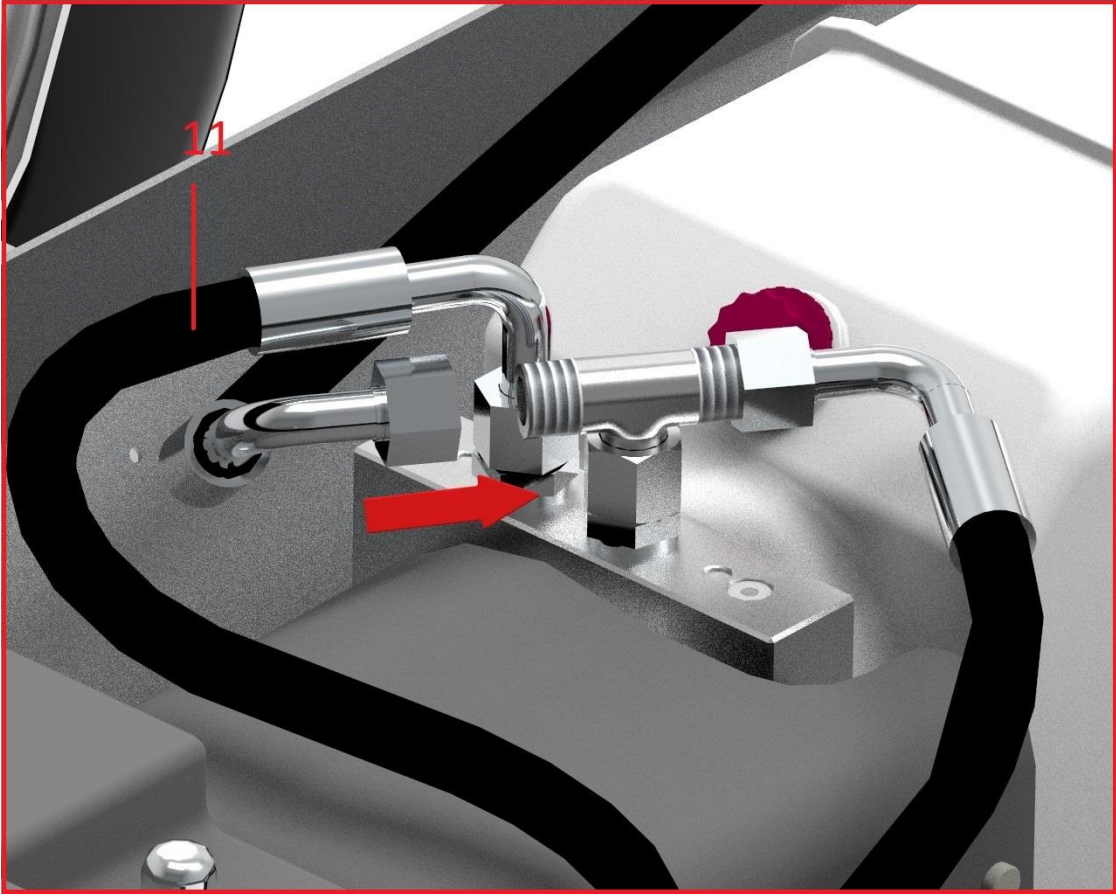
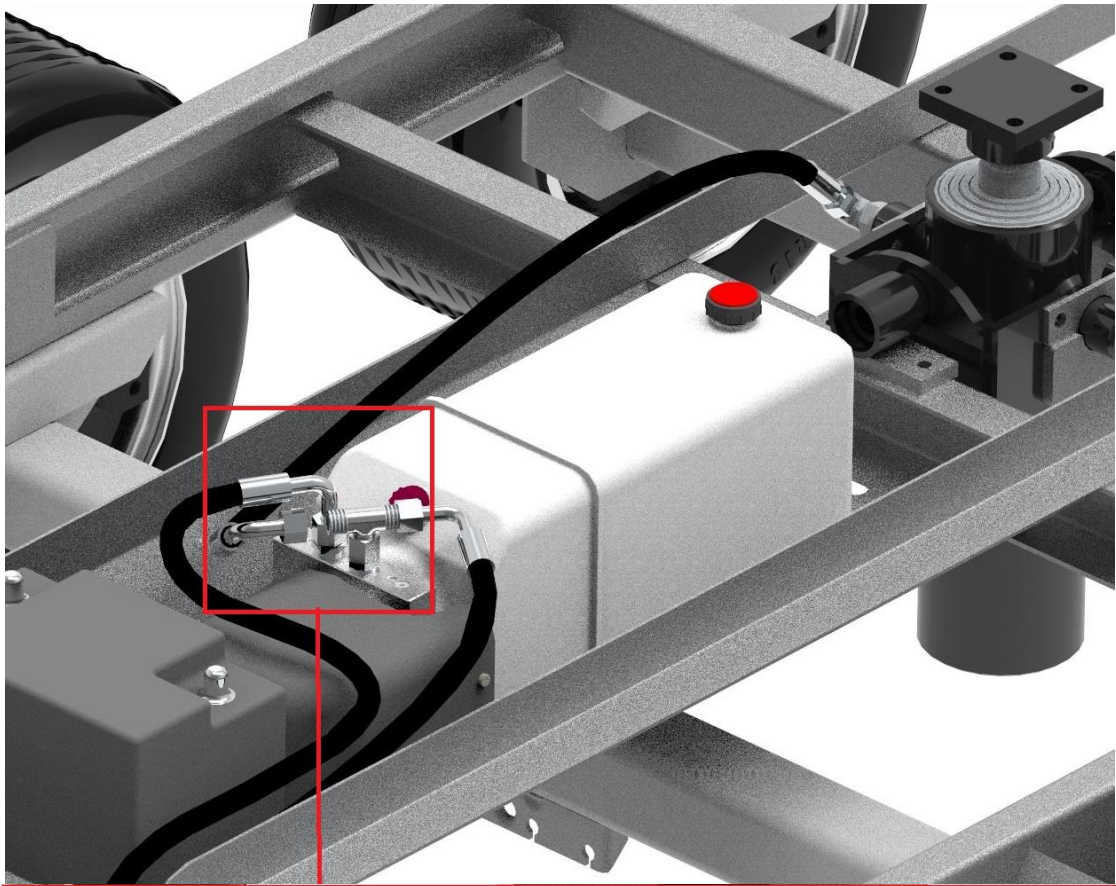
STEP 5



NUMBER	PICTURE	PCS
10		1



NUMBER	PICTURE	PCS
11		1



CORRECT INSTALLATION



WARNING!!!

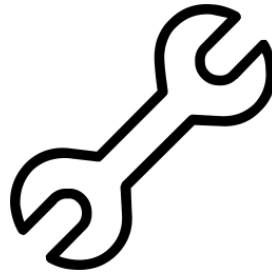
Loosely hanging hydraulic wires should be attached to the frame with plastic clamp bands!

To installation you need:

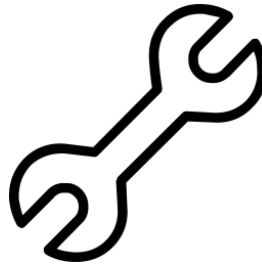
- Allen wrench 8mm



- Wrench 22mm



- Wrench 27mm



- Plastic clamp bands

